

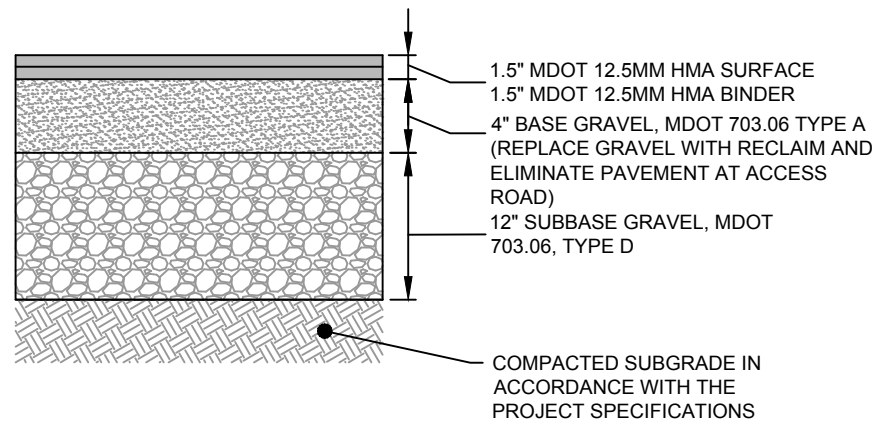

 Stantec
 482 Payne Road Scarborough Court
 Scarborough, Maine 04074-8929
 Tel. 207.883.3355
 www.stantec.com

DRAWN:	LA	DATE:	05.11.2018
DESIGNED:	LA	SCALE:	1"=25'
CHECKED:	DDA	JOB NO.:	195350302
FILE NAME:	50302_field_allen		

RSU #14
 WINDHAM SCHOOL CAMPUS

FIELD ALLEN PORTABLE CLASSROOM
 EXISTING CONDITIONS & DEMOLITIONS PLAN

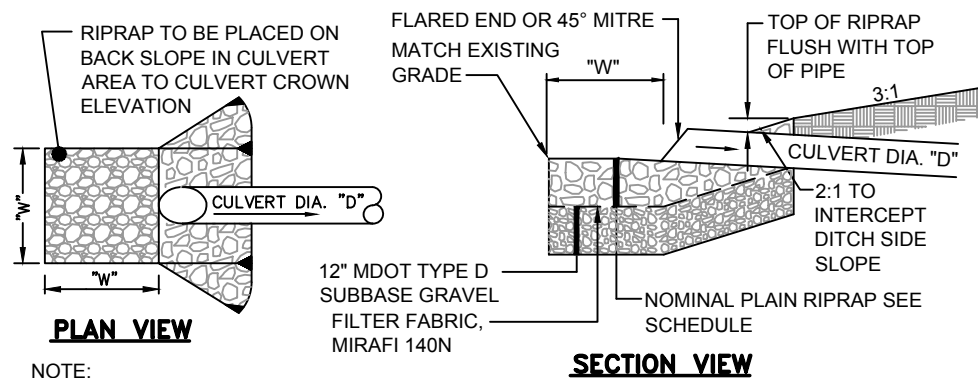
FIGURE
FA-1



NOTE:
ALL MATERIALS SHALL CONFORM TO MDOT SPECIFICATIONS, LATEST REVISION. COMPACTION OF ALL MATERIALS TO BE IN ACCORDANCE WITH THE SPECIFICATIONS.

PAVEMENT SECTION AT ACCESS DRIVE AND UNDER PORTABLE BUILDING

K
N.T.S.



NOTE:
RIPRAP GRADATION AND PLACEMENT - THE RIPRAP GRADATION SHALL BE A WELL-GRADED MIX FROM ABOUT 1.5 TIMES THE D SIZE TO ABOUT 25 PERCENT OF THE D SIZE. THE RIPRAP STONES SHALL BE CAREFULLY PLACED WORKING FROM THE TOE OF THE SLOPE UPWARD. THE STONES SHOULD BE LOWERED TO THE SLOPE AND NOT BE ALLOWED TO DROP MORE THAN 12 INCHES ONTO THE GEOTEXTILE. THE FINISHED SURFACE SHALL BE A RELATIVELY SMOOTH UNIFORMLY SLOPED SURFACE.

SCHEDULE FOR STORM DRAIN			
CULVERT DIAMETER (D)	WIDTH (W)	STONE ds 50	RIPRAP THICKNESS
8"	2'	6"	14"
15"	4'	6"	14"

I **CULVERT INLET/OUTLET APRON IN FILL AREAS**
N.T.S.



Stantec
482 Payne Road Scarborough Court
Scarborough, Maine 04074-8929
Tel. 207.883.3355
www.stantec.com

DRAWN:	LA	DATE:	05.11.2018
DESIGNED:	DDA	SCALE:	N.T.S.
CHECKED:	DDA	JOB NO.:	195350302
FILE NAME:	50302_details		

RSU #14
WINDHAM SCHOOL CAMPUS

FIELD ALLEN PORTABLE CLASSROOM
DETAILS

FIGURE
FA-4